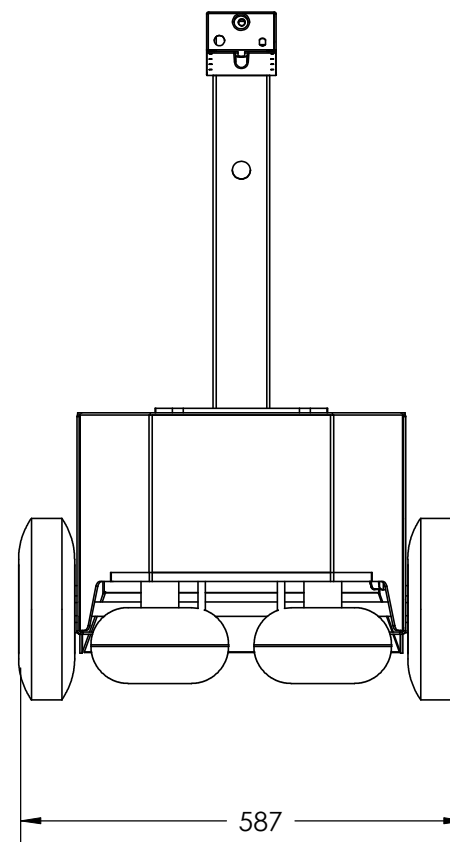
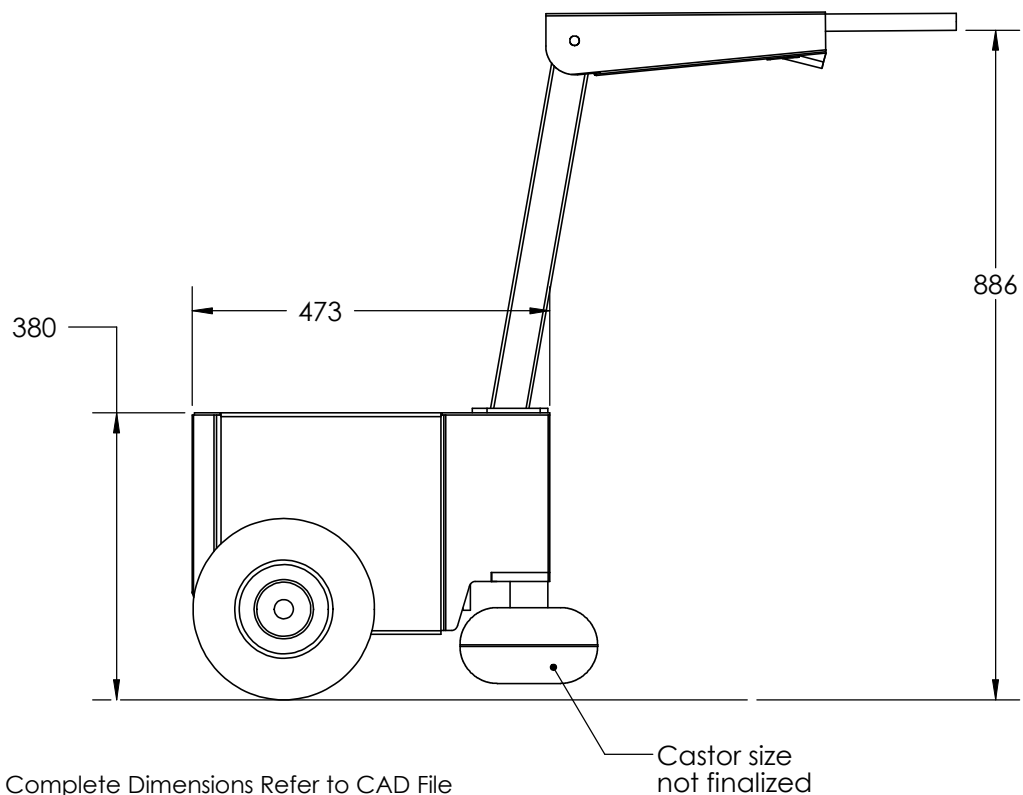
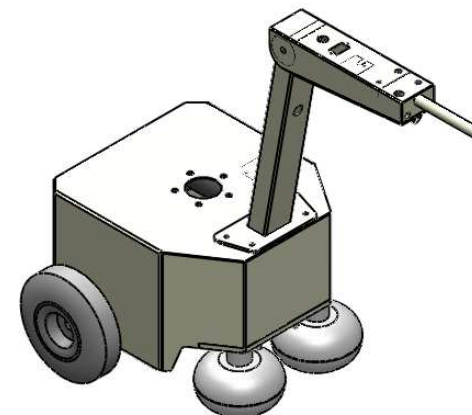


**COPYRIGHT and CONFIDENTIAL**

This dimensioned part drawing is the property of Electrodrive Pty Ltd. It is supplied only to aid the making of parts for Electrodrive, and must not be used against their interests or supplied to 3rd parties

**Please use dimensions provided as a guide only - concept machine**



For Complete Dimensions Refer to CAD File

Dimensions in Millimeters	<b>DO NOT SCALE</b>	
---------------------------	---------------------	--

<b>Circled Dimensions On Drawing MUST BE INSPECTED</b>  <b>Dimensional Tolerances, Unless Otherwise Stated Are:</b> No Decimal Place = +/- 0.5 One Decimal Place = +/- 0.1 Two Decimal Places = +/- 0.05	<b>Part description</b>					
	<b>Material:</b>					
	<b>Finish:</b>					
	<b>Colour:</b>					
	<b>Treatment:</b>					
<b>Op. List:</b>	<b>Issue</b>	<b>Date</b>	<b>Change Detail</b>	<b>Drw</b>	<b>Auth.</b>	



2/14 Merri Concourse Campbellfield 3061 VIC  
 P 03 9357 7699 F 03 9357 5699

**Drw No.:** MINI-TL-R3\Sheet1